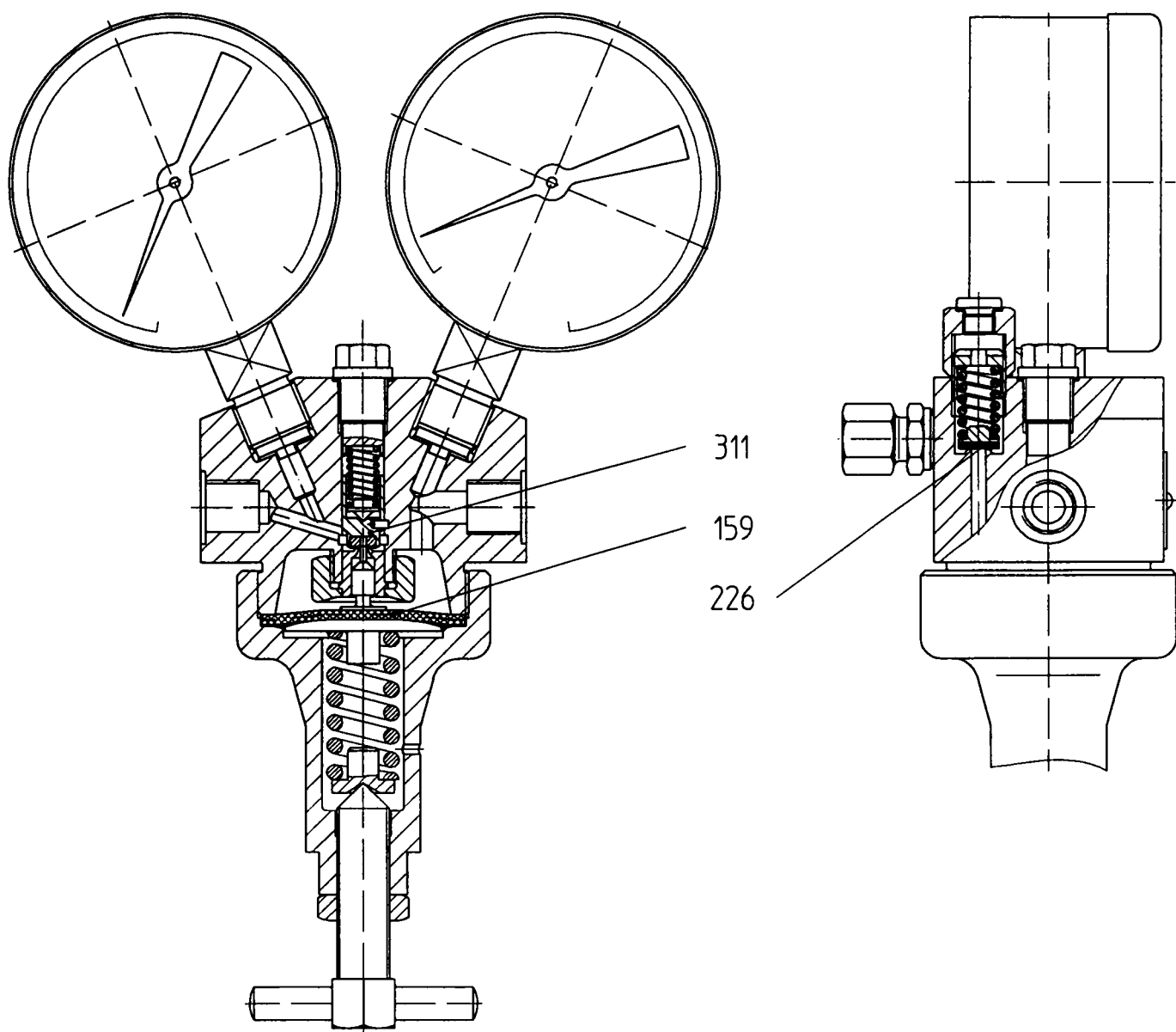


# Pressure reducer D 36 Hb " M "



## spare list D 36 Hb "M"

Pos. Nr	Description	Part No
159	diaphragm	10 016 583
226	seal	10 014 082
311	piston	10 016 926